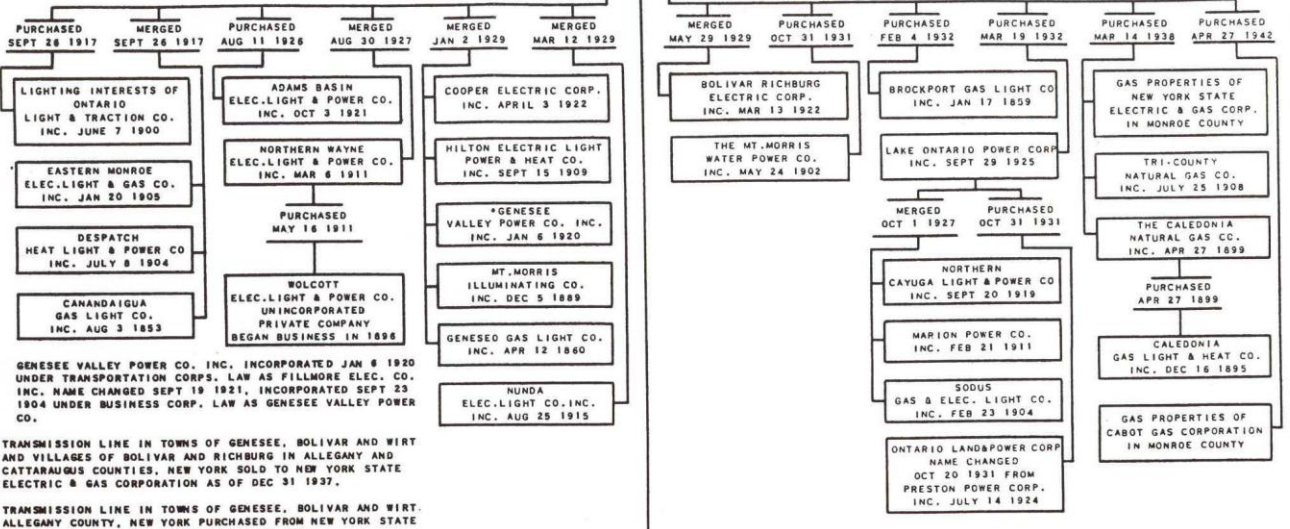


ROCHESTER GAS AND ELECTRIC CORPORATION
 NAME CHANGED NOV. 10, 1919 FROM
 ROCHESTER RAILWAY AND LIGHT COMPANY
 INCORPORATED JUNE 11, 1904



GENESEE VALLEY POWER CO., INC. INCORPORATED JAN 6 1920 UNDER TRANSPORTATION CORPS. LAW AS FILLMORE ELEC. CO. INC. NAME CHANGED SEPT 19 1921, INCORPORATED SEPT 23 1904 UNDER BUSINESS CORP. LAW AS GENESEE VALLEY POWER CO.

TRANSMISSION LINE IN TOWNS OF GENESEE, BOLIVAR AND WIRT AND VILLAGES OF BOLIVAR AND RICHBURG IN ALLEGANY AND CATTARAUGUS COUNTIES, NEW YORK SOLD TO NEW YORK STATE ELECTRIC & GAS CORPORATION AS OF DEC 31 1937.

TRANSMISSION LINE IN TOWNS OF GENESEE, BOLIVAR AND WIRT. ALLEGANY COUNTY, NEW YORK PURCHASED FROM NEW YORK STATE ELECTRIC & GAS CORPORATION ON OCT 21 1952.

CERTAIN FRANCHISES AND A GAS SYSTEM LOCATED IN ONTARIO COUNTY, NEW YORK SOLD TO NEW YORK STATE ELECTRIC & GAS CORPORATION ON OCT 30 1952.

"PURCHASED" MEANS PROPERTY PURCHASED
 "MERGED" MEANS ACQUISITION THROUGH PURCHASE OF CONTROL STOCK

